

**ESECUZIONI STANDARD**

Base con snodo cieco filettato in acciaio INOX 304:

- LMP-SST (d): senza antiscivolo.
- LMP-SST-TR (d): con antiscivolo in elastomero termoplastico (TPE).
- LMP-SST-TV (d): con antiscivolo in gomma vulcanizzata (NBR) durezza 70 in tolleranza +/-5 Shore A.

Base e dado in acciaio INOX AISI 304, stelo filettato in acciaio INOX AISI 303:

- LMP-SST (d - l): senza antiscivolo.
- LMP-SST-TR (d - l): con antiscivolo in elastomero termoplastico (TPE).
- LMP-SST-TV (d - l): con antiscivolo in gomma vulcanizzata (NBR) durezza 70 in tolleranza +/-5 Shore A.

Base, stelo filettato e dado in acciaio INOX AISI 316L:

- LMP-A4 (d - l): senza antiscivolo.
- LMP-A4-TR (d - l): con antiscivolo in elastomero termoplastico (TPE).
- LMP-A4-TV (d - l): con antiscivolo in gomma vulcanizzata (NBR) durezza 70 in tolleranza +/-5 Shore A.

**VITE DI FISSAGGIO**

Acciaio INOX AISI 304.

**CARATTERISTICHE**

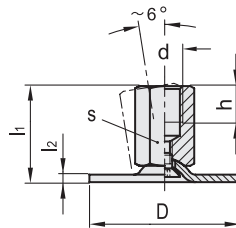
La resistenza del piedino di livellamento a un carico statico è limitata ovviamente dalla capacità di carico ammissibile dello stelo (acciaio classe resistenza 500 N/mm<sup>2</sup>).

I valori di carico statico indicati in tabella si riferiscono a prove di laboratorio con applicazione del carico perpendicolare alla base.

Essi sono da considerarsi puramente indicativi e devono essere verificati nelle specifiche condizioni di impiego.

In condizioni d'impiego reali, devono essere tenute in considerazione anche eventuali sollecitazioni laterali o angolari che ne riducano la resistenza.

Sarà cura dell'utilizzatore determinare caso per caso se il prodotto è adatto per l'impiego previsto.

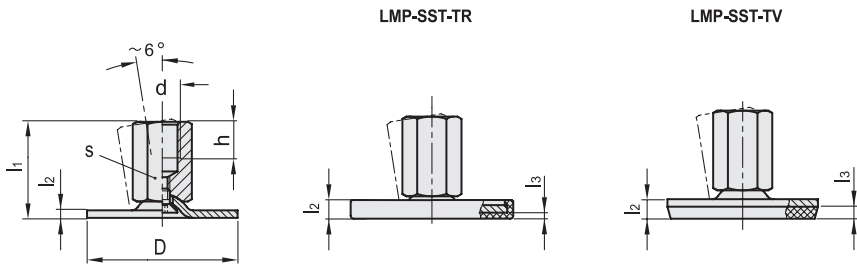


**LMP-SST (d)**

INOX STAINLESS STEEL

Codice	Descrizione	D	d	l1	l2	h	s	Carico statico limite max. [N]	⚖
404491	LMP.40-SST-M8	40	M8	25	2	8	14	8000	41
404492	LMP.40-SST-M10	40	M10	28	2	10	14	12000	41
403104	LMP.40-SST-M12	40	M12	31	2	12	17	12000	60
404541	LMP.50-SST-M8	50	M8	25	2.5	8	14	8000	61
404542	LMP.50-SST-M10	50	M10	28	2.5	10	14	14000	71
404590	LMP.60-SST-M8	60	M8	25	2.5	8	14	8000	81
404591	LMP.60-SST-M10	60	M10	28	2.5	10	14	14000	86
404592	LMP.60-SST-M12	60	M12	32	2.5	12	17	16000	101
404644	LMP.80-SST-M10	80	M10	29	3	10	14	14000	121
404640	LMP.80-SST-M12	80	M12	32	3	12	17	20000	141
404645	LMP.80-SST-M16	80	M16	38	3	16	22	20000	161

Piedini di livellamento e supporti



LMP-SST-TR (d)



Codice	Descrizione	D	d	l1	l2	l3	h	s	Carico statico limite max. [N]	⚖️
404699	LMP.40-SST-M8-TR	43	M8	25	5	1.5	8	14	8000	46
404700	LMP.40-SST-M10-TR	43	M10	28	5	1.5	10	14	12000	46
404704	LMP.40-SST-M12-TR	43	M12	31	5	1.5	12	17	12000	60
404741	LMP.50-SST-M8-TR	54	M8	25	6	2	8	14	8000	61
404742	LMP.50-SST-M10-TR	54	M10	28	6	2	10	14	14000	71
404790	LMP.60-SST-M8-TR	64	M8	25	6	2	8	14	8000	81
404791	LMP.60-SST-M10-TR	64	M10	28	6	2	10	14	14000	86
404792	LMP.60-SST-M12-TR	64	M12	32	6	2	12	17	16000	101
404844	LMP.80-SST-M10-TR	84	M10	29	7	2	10	14	14000	121
404840	LMP.80-SST-M12-TR	84	M12	32	7	2	12	17	20000	141
404845	LMP.80-SST-M16-TR	84	M16	38	7	2	16	22	20000	161

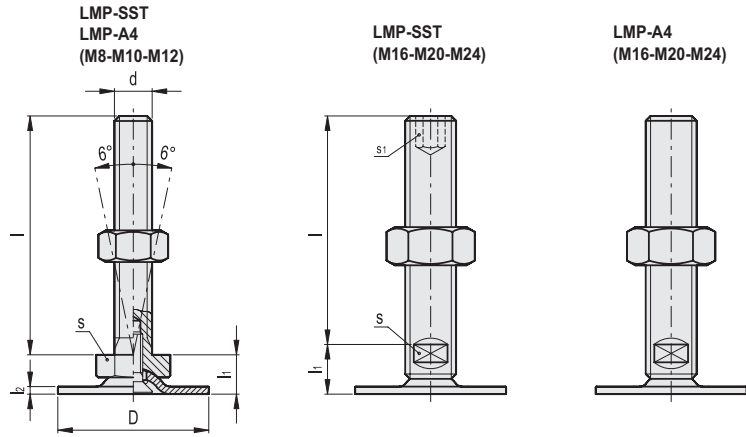
LMP-SST-TV (d)



Codice	Descrizione	D	d	l1	l2	l3	h	s	Carico statico limite max. [N]	⚖️
403501	LMP.40-SST-M8-TV	40	M8	25	5.5	3.5	8	14	8000	46
403502	LMP.40-SST-M10-TV	40	M10	28	5.5	3.5	10	14	12000	46
403500	LMP.40-SST-M12-TV	40	M12	31	5.5	3.5	12	17	12000	78
403521	LMP.50-SST-M8-TV	50	M8	25	6.5	4	8	14	8000	61
403522	LMP.50-SST-M10-TV	50	M10	28	6.5	4	10	14	14000	71
403541	LMP.60-SST-M8-TV	60	M8	25	7	4.5	8	14	8000	81
403542	LMP.60-SST-M10-TV	60	M10	28	7	4.5	10	14	14000	56
403543	LMP.60-SST-M12-TV	60	M12	32	7	4.5	12	17	16000	101
403561	LMP.80-SST-M10-TV	80	M10	29	8	5	10	14	14000	121
403562	LMP.80-SST-M12-TV	80	M12	32	8	5	12	17	20000	141
403563	LMP.80-SST-M16-TV	80	M16	38	8	5	16	22	20000	161



- 1
- 2
- 3
- 4
- 5
- 6
- 7
- 8
- 9
- 10
- 11
- 12
- 13
- 14
- 15
- 16
- 17
- 18



INOX STAINLESS STEEL

LMP-SST (d - l)

LMP-A4 (d - l)

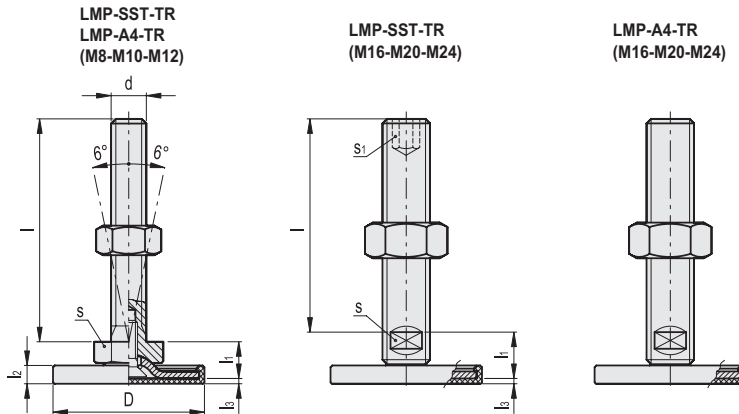
Codice	Descrizione	Codice	Descrizione	D	d	l	l1	l2	s	s1#	Carico statico limite max. [N]	⚖
404501	LMP.40-SST-M8x40	395061	LMP.40-A4-M8x40	40	M8	40	11	2	17	-	8000	41
404502	LMP.40-SST-M8x50	395065	LMP.40-A4-M8x50	40	M8	50	11	2	17	-	8000	51
404503	LMP.40-SST-M8x63	395069	LMP.40-A4-M8x63	40	M8	63	11	2	17	-	8000	56
404511	LMP.40-SST-M10x50	395001	LMP.40-A4-M10x50	40	M10	50	11	2	17	-	12000	61
404513	LMP.40-SST-M10x60	395005	LMP.40-A4-M10x60	40	M10	60	11	2	17	-	12000	71
404515	LMP.40-SST-M10x80	395009	LMP.40-A4-M10x80	40	M10	80	11	2	17	-	12000	81
404517	LMP.40-SST-M10x100	395013	LMP.40-A4-M10x100	40	M10	100	11	2	17	-	12000	101
404521	LMP.40-SST-M12x60	395031	LMP.40-A4-M12x60	40	M12	60	11	2	17	-	12000	91
404523	LMP.40-SST-M12x80	395035	LMP.40-A4-M12x80	40	M12	80	11	2	17	-	12000	111
404525	LMP.40-SST-M12x100	395039	LMP.40-A4-M12x100	40	M12	100	11	2	17	-	12000	131
404527	LMP.40-SST-M12x125	395043	LMP.40-A4-M12x125	40	M12	125	11	2	17	-	12000	152
404531	LMP.40-SST-M16x75	395091	LMP.40-A4-M16x75	40	M16	75	17	2	12	8	12000	162
404533	LMP.40-SST-M16x100	395094	LMP.40-A4-M16x100	40	M16	100	17	2	12	8	12000	177
404535	LMP.40-SST-M16x125	395097	LMP.40-A4-M16x125	40	M16	125	17	2	12	8	12000	192
404537	LMP.40-SST-M16x150	395100	LMP.40-A4-M16x150	40	M16	150	17	2	12	8	12000	217
404539	LMP.40-SST-M16x200	395103	LMP.40-A4-M16x200	40	M16	200	17	2	12	8	12000	303
404551	LMP.50-SST-M8x40	395201	LMP.50-A4-M8x40	50	M8	40	11	2.5	17	-	8000	71
404552	LMP.50-SST-M8x50	395205	LMP.50-A4-M8x50	50	M8	50	11	2.5	17	-	8000	122
404553	LMP.50-SST-M8x63	395209	LMP.50-A4-M8x63	50	M8	63	11	2.5	17	-	8000	76
404561	LMP.50-SST-M10x50	395231	LMP.50-A4-M10x50	50	M10	50	11	2.5	17	-	14000	79
404563	LMP.50-SST-M10x60	395235	LMP.50-A4-M10x60	50	M10	60	11	2.5	17	-	14000	89
404565	LMP.50-SST-M10x80	395239	LMP.50-A4-M10x80	50	M10	80	11	2.5	17	-	14000	101
404567	LMP.50-SST-M10x100	395243	LMP.50-A4-M10x100	50	M10	100	11	2.5	17	-	14000	109
404571	LMP.50-SST-M12x60	395261	LMP.50-A4-M12x60	50	M12	60	11	2.5	17	-	14000	105
404573	LMP.50-SST-M12x80	395265	LMP.50-A4-M12x80	50	M12	80	11	2.5	17	-	14000	115
404575	LMP.50-SST-M12x100	395269	LMP.50-A4-M12x100	50	M12	100	11	2.5	17	-	14000	131
404577	LMP.50-SST-M12x125	395273	LMP.50-A4-M12x125	50	M12	125	11	2.5	17	-	14000	157
404581	LMP.50-SST-M16x75	395291	LMP.50-A4-M16x75	50	M16	75	17	2.5	12	8	14000	177
404583	LMP.50-SST-M16x100	395295	LMP.50-A4-M16x100	50	M16	100	17	2.5	12	8	14000	210
404585	LMP.50-SST-M16x125	395299	LMP.50-A4-M16x125	50	M16	125	17	2.5	12	8	14000	245
404587	LMP.50-SST-M16x150	395303	LMP.50-A4-M16x150	50	M16	150	17	2.5	12	8	14000	280
404589	LMP.50-SST-M16x200	395307	LMP.50-A4-M16x200	50	M16	200	17	2.5	12	8	14000	322
404601	LMP.60-SST-M8x40	395401	LMP.60-A4-M8x40	60	M8	40	11	2.5	17	-	8000	89
404602	LMP.60-SST-M8x50	395405	LMP.60-A4-M8x50	60	M8	50	11	2.5	17	-	8000	93
404603	LMP.60-SST-M8x63	395409	LMP.60-A4-M8x63	60	M8	63	11	2.5	17	-	8000	98
404611	LMP.60-SST-M10x50	395431	LMP.60-A4-M10x50	60	M10	50	11	2.5	17	-	14000	102
404613	LMP.60-SST-M10x60	395435	LMP.60-A4-M10x60	60	M10	60	11	2.5	17	-	14000	107
404615	LMP.60-SST-M10x80	395439	LMP.60-A4-M10x80	60	M10	80	11	2.5	17	-	14000	116
404617	LMP.60-SST-M10x100	395443	LMP.60-A4-M10x100	60	M10	100	11	2.5	17	-	14000	132
404621	LMP.60-SST-M12x60	395461	LMP.60-A4-M12x60	60	M12	60	11	2.5	17	-	16000	125
404623	LMP.60-SST-M12x80	395465	LMP.60-A4-M12x80	60	M12	80	11	2.5	17	-	16000	138
404625	LMP.60-SST-M12x100	395469	LMP.60-A4-M12x100	60	M12	100	11	2.5	17	-	16000	153
404627	LMP.60-SST-M12x125	395473	LMP.60-A4-M12x125	60	M12	125	11	2.5	17	-	16000	169
404631	LMP.60-SST-M16x75	395491	LMP.60-A4-M16x75	60	M16	75	17	2.5	12	8	16000	195
404633	LMP.60-SST-M16x100	395495	LMP.60-A4-M16x100	60	M16	100	17	2.5	12	8	16000	220
404635	LMP.60-SST-M16x125	395499	LMP.60-A4-M16x125	60	M16	125	17	2.5	12	8	16000	261
404637	LMP.60-SST-M16x150	395503	LMP.60-A4-M16x150	60	M16	150	17	2.5	12	8	16000	292
404639	LMP.60-SST-M16x200	395507	LMP.60-A4-M16x200	60	M16	200	17	2.5	12	8	16000	363

Piedini di livellamento e supporti

4 # solo per LMP-SST



LMP-SST (d - l)		LMP-A4 (d - l)		D	d	l	l1	l2	s	s#	Carico statico limite max. [N]	
404641	LMP.80-SST-M8x40	395601	LMP.80-A4-M8x40	80	M8	40	12	3	17	-	8000	152
404642	LMP.80-SST-M8x50	395605	LMP.80-A4-M8x50	80	M8	50	12	3	17	-	8000	156
404643	LMP.80-SST-M8x63	395609	LMP.80-A4-M8x63	80	M8	63	12	3	17	-	8000	162
404651	LMP.80-SST-M10x50	395631	LMP.80-A4-M10x50	80	M10	50	12	3	17	-	14000	164
404653	LMP.80-SST-M10x60	395635	LMP.80-A4-M10x60	80	M10	60	12	3	17	-	14000	177
404655	LMP.80-SST-M10x80	395639	LMP.80-A4-M10x80	80	M10	80	12	3	17	-	14000	182
404657	LMP.80-SST-M10x100	395643	LMP.80-A4-M10x100	80	M10	100	12	3	17	-	14000	202
404661	LMP.80-SST-M12x60	395661	LMP.80-A4-M12x60	80	M12	60	12	3	17	-	20000	185
404663	LMP.80-SST-M12x80	395665	LMP.80-A4-M12x80	80	M12	80	12	3	17	-	20000	210
404665	LMP.80-SST-M12x100	395669	LMP.80-A4-M12x100	80	M12	100	12	3	17	-	20000	220
404667	LMP.80-SST-M12x125	395673	LMP.80-A4-M12x125	80	M12	125	12	3	17	-	20000	235
404671	LMP.80-SST-M16x75	395691	LMP.80-A4-M16x75	80	M16	75	18	3	12	8	20000	255
404673	LMP.80-SST-M16x100	395695	LMP.80-A4-M16x100	80	M16	100	18	3	12	8	20000	280
404675	LMP.80-SST-M16x125	395699	LMP.80-A4-M16x125	80	M16	125	18	3	12	8	20000	292
404677	LMP.80-SST-M16x150	395703	LMP.80-A4-M16x150	80	M16	150	18	3	12	8	20000	364
404679	LMP.80-SST-M16x200	395707	LMP.80-A4-M16x200	80	M16	200	18	3	12	8	20000	422
404681	LMP.80-SST-M20x75	395731	LMP.80-A4-M20x75	80	M20	75	19	3	15	10	20000	360
404683	LMP.80-SST-M20x100	395735	LMP.80-A4-M20x100	80	M20	100	19	3	15	10	20000	389
404685	LMP.80-SST-M20x125	395739	LMP.80-A4-M20x125	80	M20	125	19	3	15	10	20000	404
404687	LMP.80-SST-M20x150	395743	LMP.80-A4-M20x150	80	M20	150	19	3	15	10	20000	463
404689	LMP.80-SST-M20x200	395747	LMP.80-A4-M20x200	80	M20	200	19	3	15	10	20000	504
404693	LMP.80-SST-M24x100	395771	LMP.80-A4-M24x100	80	M24	100	22	3	19	12	22000	505
404695	LMP.80-SST-M24x125	395775	LMP.80-A4-M24x125	80	M24	125	22	3	19	12	22000	627
404697	LMP.80-SST-M24x150	395779	LMP.80-A4-M24x150	80	M24	150	22	3	19	12	22000	680
404698	LMP.80-SST-M24x200	395783	LMP.80-A4-M24x200	80	M24	200	22	3	19	12	22000	768



LMP-SST-TR (d - l)		LMP-A4-TR (d - l)		D	d	l	l1	l2	l3	s	s#	Carico statico limite max. [N]	
404701	LMP.40-SST-M8x40-TR	395063	LMP.40-A4-M8x40-TR	43	M8	40	11	5	1.5	17	-	8000	41
404702	LMP.40-SST-M8x50-TR	395067	LMP.40-A4-M8x50-TR	43	M8	50	11	5	1.5	17	-	8000	46
404703	LMP.40-SST-M8x63-TR	395071	LMP.40-A4-M8x63-TR	43	M8	63	11	5	1.5	17	-	8000	56
404711	LMP.40-SST-M10x50-TR	395003	LMP.40-A4-M10x50-TR	43	M10	50	11	5	1.5	17	-	12000	61
404713	LMP.40-SST-M10x60-TR	395007	LMP.40-A4-M10x60-TR	43	M10	60	11	5	1.5	17	-	12000	71
404715	LMP.40-SST-M10x80-TR	395011	LMP.40-A4-M10x80-TR	43	M10	80	11	5	1.5	17	-	12000	81
404717	LMP.40-SST-M10x100-TR	395015	LMP.40-A4-M10x100-TR	43	M10	100	11	5	1.5	17	-	12000	101
404721	LMP.40-SST-M12x60-TR	395033	LMP.40-A4-M12x60-TR	43	M12	60	11	5	1.5	17	-	12000	91
404723	LMP.40-SST-M12x80-TR	395037	LMP.40-A4-M12x80-TR	43	M12	80	11	5	1.5	17	-	12000	102
404725	LMP.40-SST-M12x100-TR	395041	LMP.40-A4-M12x100-TR	43	M12	100	11	5	1.5	17	-	12000	120
404727	LMP.40-SST-M12x125-TR	395045	LMP.40-A4-M12x125-TR	43	M12	125	11	5	1.5	17	-	12000	142
404731	LMP.40-SST-M16x75-TR	395092	LMP.40-A4-M16x75-TR	43	M16	75	17	5	1.5	12	8	12000	155
404733	LMP.40-SST-M16x100-TR	395095	LMP.40-A4-M16x100-TR	43	M16	100	17	5	1.5	12	8	12000	180
404735	LMP.40-SST-M16x125-TR	395098	LMP.40-A4-M16x125-TR	43	M16	125	17	5	1.5	12	8	12000	205
404737	LMP.40-SST-M16x150-TR	395101	LMP.40-A4-M16x150-TR	43	M16	150	17	5	1.5	12	8	12000	255
404739	LMP.40-SST-M16x200-TR	395104	LMP.40-A4-M16x200-TR	43	M16	200	17	5	1.5	12	8	12000	322

# solo per LMP-SST



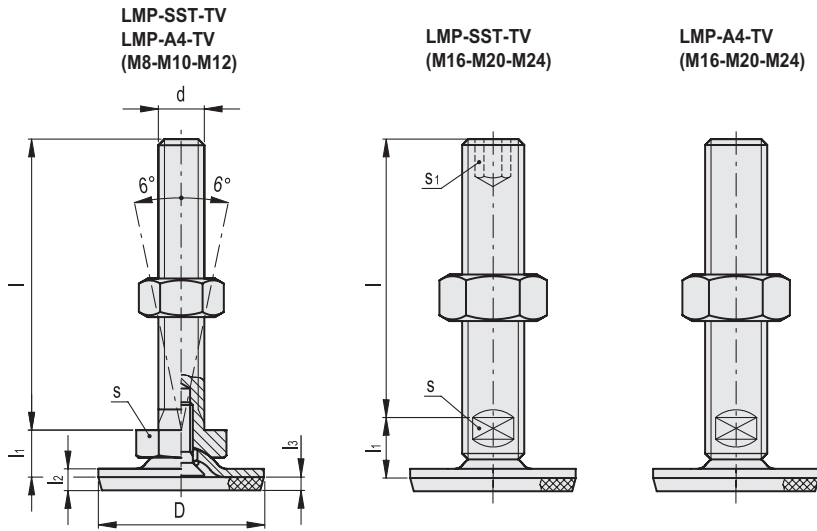
LMP-SST-TR (d - l)

LMP-A4-TR (d - l)

Codice	Descrizione	Codice	Descrizione	D	d	l	l1	l2	l3	s	s1#	Carico statico limite max. [N]	⚖️
404751	LMP.50-SST-M8x40-TR	395203	LMP.50-A4-M8x40-TR	54	M8	40	11	6	2	17	-	8000	71
404752	LMP.50-SST-M8x50-TR	395207	LMP.50-A4-M8x50-TR	54	M8	50	11	6	2	17	-	8000	79
404753	LMP.50-SST-M8x63-TR	395211	LMP.50-A4-M8x63-TR	54	M8	63	11	6	2	17	-	8000	77
404761	LMP.50-SST-M10x50-TR	395233	LMP.50-A4-M10x50-TR	54	M10	50	11	6	2	17	-	14000	101
404763	LMP.50-SST-M10x60-TR	395237	LMP.50-A4-M10x60-TR	54	M10	60	11	6	2	17	-	14000	112
404765	LMP.50-SST-M10x80-TR	395241	LMP.50-A4-M10x80-TR	54	M10	80	11	6	2	17	-	14000	122
404767	LMP.50-SST-M10x100-TR	395245	LMP.50-A4-M10x100-TR	54	M10	100	11	6	2	17	-	14000	142
404771	LMP.50-SST-M12x60-TR	395263	LMP.50-A4-M12x60-TR	54	M12	60	11	6	2	17	-	14000	122
404773	LMP.50-SST-M12x80-TR	395267	LMP.50-A4-M12x80-TR	54	M12	80	11	6	2	17	-	14000	132
404775	LMP.50-SST-M12x100-TR	395271	LMP.50-A4-M12x100-TR	54	M12	100	11	6	2	17	-	14000	143
404777	LMP.50-SST-M12x125-TR	395275	LMP.50-A4-M12x125-TR	54	M12	125	11	6	2	17	-	14000	162
404781	LMP.50-SST-M16x75-TR	395293	LMP.50-A4-M16x75-TR	54	M16	75	17	6	2	12	8	14000	180
404783	LMP.50-SST-M16x100-TR	395297	LMP.50-A4-M16x100-TR	54	M16	100	17	6	2	12	8	14000	222
404785	LMP.50-SST-M16x125-TR	395301	LMP.50-A4-M16x125-TR	54	M16	125	17	6	2	12	8	14000	253
404787	LMP.50-SST-M16x150-TR	395305	LMP.50-A4-M16x150-TR	54	M16	150	17	6	2	12	8	14000	282
404789	LMP.50-SST-M16x200-TR	395309	LMP.50-A4-M16x200-TR	54	M16	200	17	6	2	12	8	14000	400
404801	LMP.60-SST-M8x40-TR	395403	LMP.60-A4-M8x40-TR	64	M8	40	11	6	2	17	-	8000	81
404802	LMP.60-SST-M8x50-TR	395407	LMP.60-A4-M8x50-TR	64	M8	50	11	6	2	17	-	8000	90
404803	LMP.60-SST-M8x63-TR	395411	LMP.60-A4-M8x63-TR	64	M8	63	11	6	2	17	-	8000	101
404811	LMP.60-SST-M10x50-TR	395433	LMP.60-A4-M10x50-TR	64	M10	50	11	6	2	17	-	14000	120
404813	LMP.60-SST-M10x60-TR	395437	LMP.60-A4-M10x60-TR	64	M10	60	11	6	2	17	-	14000	132
404815	LMP.60-SST-M10x80-TR	395441	LMP.60-A4-M10x80-TR	64	M10	80	11	6	2	17	-	14000	152
404817	LMP.60-SST-M10x100-TR	395445	LMP.60-A4-M10x100-TR	64	M10	100	11	6	2	17	-	14000	182
404821	LMP.60-SST-M12x60-TR	395463	LMP.60-A4-M12x60-TR	64	M12	60	11	6	2	17	-	16000	122
404823	LMP.60-SST-M12x80-TR	395467	LMP.60-A4-M12x80-TR	64	M12	80	11	6	2	17	-	16000	152
404825	LMP.60-SST-M12x100-TR	395471	LMP.60-A4-M12x100-TR	64	M12	100	11	6	2	17	-	16000	182
404827	LMP.60-SST-M12x125-TR	395475	LMP.60-A4-M12x125-TR	64	M12	125	11	6	2	17	-	16000	202
404831	LMP.60-SST-M16x75-TR	395493	LMP.60-A4-M16x75-TR	64	M16	75	17	6	2	12	8	16000	212
404833	LMP.60-SST-M16x100-TR	395497	LMP.60-A4-M16x100-TR	64	M16	100	17	6	2	12	8	16000	232
404835	LMP.60-SST-M16x125-TR	395501	LMP.60-A4-M16x125-TR	64	M16	125	17	6	2	12	8	16000	253
404837	LMP.60-SST-M16x150-TR	395505	LMP.60-A4-M16x150-TR	64	M16	150	17	6	2	12	8	16000	273
404839	LMP.60-SST-M16x200-TR	395509	LMP.60-A4-M16x200-TR	64	M16	200	17	6	2	12	8	16000	357
404841	LMP.80-SST-M8x40-TR	395603	LMP.80-A4-M8x40-TR	84	M8	40	12	7	2	17	-	8000	162
404842	LMP.80-SST-M8x50-TR	395607	LMP.80-A4-M8x50-TR	84	M8	50	12	7	2	17	-	8000	162
404843	LMP.80-SST-M8x63-TR	395611	LMP.80-A4-M8x63-TR	84	M8	63	12	7	2	17	-	8000	162
404851	LMP.80-SST-M10x50-TR	395633	LMP.80-A4-M10x50-TR	84	M10	50	12	7	2	17	-	14000	162
404853	LMP.80-SST-M10x60-TR	395637	LMP.80-A4-M10x60-TR	84	M10	60	12	7	2	17	-	14000	182
404855	LMP.80-SST-M10x80-TR	395641	LMP.80-A4-M10x80-TR	84	M10	80	12	7	2	17	-	14000	202
404857	LMP.80-SST-M10x100-TR	395645	LMP.80-A4-M10x100-TR	84	M10	100	12	7	2	17	-	14000	222
404861	LMP.80-SST-M12x60-TR	395663	LMP.80-A4-M12x60-TR	84	M12	60	12	7	2	17	-	20000	202
404863	LMP.80-SST-M12x80-TR	395667	LMP.80-A4-M12x80-TR	84	M12	80	12	7	2	17	-	20000	212
404865	LMP.80-SST-M12x100-TR	395671	LMP.80-A4-M12x100-TR	84	M12	100	12	7	2	17	-	20000	232
404867	LMP.80-SST-M12x125-TR	395675	LMP.80-A4-M12x125-TR	84	M12	125	12	7	2	17	-	20000	242
404871	LMP.80-SST-M16x75-TR	395693	LMP.80-A4-M16x75-TR	84	M16	75	18	7	2	12	8	20000	283
404873	LMP.80-SST-M16x100-TR	395697	LMP.80-A4-M16x100-TR	84	M16	100	18	7	2	12	8	20000	303
404875	LMP.80-SST-M16x125-TR	395701	LMP.80-A4-M16x125-TR	84	M16	125	18	7	2	12	8	20000	364
404877	LMP.80-SST-M16x150-TR	395705	LMP.80-A4-M16x150-TR	84	M16	150	18	7	2	12	8	20000	384
404879	LMP.80-SST-M16x200-TR	395709	LMP.80-A4-M16x200-TR	84	M16	200	18	7	2	12	8	20000	403
404881	LMP.80-SST-M20x75-TR	395733	LMP.80-A4-M20x75-TR	84	M20	75	19	7	2	15	10	20000	364
404883	LMP.80-SST-M20x100-TR	395737	LMP.80-A4-M20x100-TR	84	M20	100	19	7	2	15	10	20000	394
404885	LMP.80-SST-M20x125-TR	395741	LMP.80-A4-M20x125-TR	84	M20	125	19	7	2	15	10	20000	414
404887	LMP.80-SST-M20x150-TR	395745	LMP.80-A4-M20x150-TR	84	M20	150	19	7	2	15	10	20000	444
404889	LMP.80-SST-M20x200-TR	395749	LMP.80-A4-M20x200-TR	84	M20	200	19	7	2	15	10	20000	599
404893	LMP.80-SST-M24x100-TR	395773	LMP.80-A4-M24x100-TR	84	M24	100	22	7	2	19	12	22000	566
404895	LMP.80-SST-M24x125-TR	395777	LMP.80-A4-M24x125-TR	84	M24	125	22	7	2	19	12	22000	687
404897	LMP.80-SST-M24x150-TR	395781	LMP.80-A4-M24x150-TR	84	M24	150	22	7	2	19	12	22000	704
404898	LMP.80-SST-M24x200-TR	395785	LMP.80-A4-M24x200-TR	84	M24	200	22	7	2	19	12	22000	768

Piedini di livellamento e supporti

6 # solo per LMP-SST



LMP-SST-TV (d - l)

LMP-A4-TV (d - l)



Codice	Descrizione	Codice	Descrizione	D	d	l	l1	l2	l3	s	s#	Carico statico limite max. [N]	12
403503	LMP.40-SST-M8x40-TV	395064	LMP.40-A4-M8x40-TV	40	M8	40	11	5.5	3.5	17	-	8000	41
403505	LMP.40-SST-M8x63-TV	395068	LMP.40-A4-M8x50-TV	40	M8	50	11	5.5	3.5	17	-	8000	46
403504	LMP.40-SST-M8x50-TV	395072	LMP.40-A4-M8x63-TV	40	M8	63	11	5.5	3.5	17	-	8000	56
403506	LMP.40-SST-M10x50-TV	395004	LMP.40-A4-M10x50-TV	40	M10	50	11	5.5	3.5	17	-	12000	61
403507	LMP.40-SST-M10x60-TV	395008	LMP.40-A4-M10x60-TV	40	M10	60	11	5.5	3.5	17	-	12000	71
403508	LMP.40-SST-M10x80-TV	395012	LMP.40-A4-M10x80-TV	40	M10	80	11	5.5	3.5	17	-	12000	81
403509	LMP.40-SST-M10x100-TV	395016	LMP.40-A4-M10x100-TV	40	M10	100	11	5.5	3.5	17	-	12000	101
403510	LMP.40-SST-M12x60-TV	395034	LMP.40-A4-M12x60-TV	40	M12	60	11	5.5	3.5	17	-	12000	91
403511	LMP.40-SST-M12x80-TV	395038	LMP.40-A4-M12x80-TV	40	M12	80	11	5.5	3.5	17	-	12000	102
403512	LMP.40-SST-M12x100-TV	395042	LMP.40-A4-M12x100-TV	40	M12	100	11	5.5	3.5	17	-	12000	120
403513	LMP.40-SST-M12x125-TV	395046	LMP.40-A4-M12x125-TV	40	M12	125	11	5.5	3.5	17	-	12000	142
403514	LMP.40-SST-M16x75-TV	395093	LMP.40-A4-M16x75-TV	40	M16	75	17	5.5	3.5	12	8	12000	155
403515	LMP.40-SST-M16x100-TV	395096	LMP.40-A4-M16x100-TV	40	M16	100	17	5.5	3.5	12	8	12000	180
403516	LMP.40-SST-M16x125-TV	395099	LMP.40-A4-M16x125-TV	40	M16	125	17	5.5	3.5	12	8	12000	205
403517	LMP.40-SST-M16x150-TV	395102	LMP.40-A4-M16x150-TV	40	M16	150	17	5.5	3.5	12	8	12000	255
403518	LMP.40-SST-M16x200-TV	395105	LMP.40-A4-M16x200-TV	40	M16	200	17	5.5	3.5	12	8	12000	322
403523	LMP.50-SST-M8x40-TV	395204	LMP.50-A4-M8x40-TV	50	M8	40	11	6.5	4	17	-	8000	71
403524	LMP.50-SST-M8x50-TV	395208	LMP.50-A4-M8x50-TV	50	M8	50	11	6.5	4	17	-	8000	77
403525	LMP.50-SST-M8x63-TV	395212	LMP.50-A4-M8x63-TV	50	M8	63	11	6.5	4	17	-	8000	79
403526	LMP.50-SST-M10x50-TV	395234	LMP.50-A4-M10x50-TV	50	M10	50	11	6.5	4	17	-	14000	101
403527	LMP.50-SST-M10x60-TV	395238	LMP.50-A4-M10x60-TV	50	M10	60	11	6.5	4	17	-	14000	112
403528	LMP.50-SST-M10x80-TV	395242	LMP.50-A4-M10x80-TV	50	M10	80	11	6.5	4	17	-	14000	122
403529	LMP.50-SST-M10x100-TV	395246	LMP.50-A4-M10x100-TV	50	M10	100	11	6.5	4	17	-	14000	142
403530	LMP.50-SST-M12x60-TV	395264	LMP.50-A4-M12x60-TV	50	M12	60	11	6.5	4	17	-	14000	122
403531	LMP.50-SST-M12x80-TV	395268	LMP.50-A4-M12x80-TV	50	M12	80	11	6.5	4	17	-	14000	132
403532	LMP.50-SST-M12x100-TV	395272	LMP.50-A4-M12x100-TV	50	M12	100	11	6.5	4	17	-	14000	143
403533	LMP.50-SST-M12x125-TV	395276	LMP.50-A4-M12x125-TV	50	M12	125	11	6.5	4	17	-	14000	162
403534	LMP.50-SST-M16x75-TV	395294	LMP.50-A4-M16x75-TV	50	M16	75	17	6.5	4	12	8	14000	180
403535	LMP.50-SST-M16x100-TV	395298	LMP.50-A4-M16x100-TV	50	M16	100	17	6.5	4	12	8	14000	222
403536	LMP.50-SST-M16x125-TV	395302	LMP.50-A4-M16x125-TV	50	M16	125	17	6.5	4	12	8	14000	253
403537	LMP.50-SST-M16x150-TV	395306	LMP.50-A4-M16x150-TV	50	M16	150	17	6.5	4	12	8	14000	282
403538	LMP.50-SST-M16x200-TV	395310	LMP.50-A4-M16x200-TV	50	M16	200	17	6.5	4	12	8	14000	400

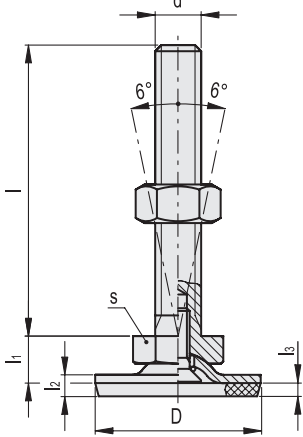
# solo per LMP-SST



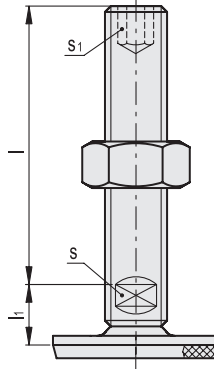
- 1
- 2
- 3
- 4
- 5
- 6
- 7
- 8
- 9
- 10
- 11
- 12
- 13
- 14
- 15
- 16
- 17
- 18

Piedini di livellamento e supporti

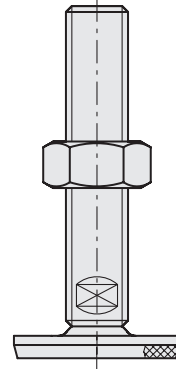
**LMP-SST-TV  
LMP-A4-TV  
(M8-M10-M12)**



**LMP-SST-TV  
(M16-M20-M24)**



**LMP-A4-TV  
(M16-M20-M24)**



**LMP-SST-TV (d - l)**

**LMP-A4-TV (d - l)**

Codice	Descrizione	Codice	Descrizione	D	d	l	l1	l2	l3	s	s1#	Carico statico limite max. [N]	⚖️
403544	LMP.60-SST-M8x40-TV	395404	LMP.60-A4-M8x40-TV	60	M8	40	11	7	4.5	17	-	8000	81
403545	LMP.60-SST-M8x50-TV	395408	LMP.60-A4-M8x50-TV	60	M8	50	11	7	4.5	17	-	8000	90
403546	LMP.60-SST-M8x63-TV	395412	LMP.60-A4-M8x63-TV	60	M8	63	11	7	4.5	17	-	8000	101
403547	LMP.60-SST-M10x50-TV	395434	LMP.60-A4-M10x50-TV	60	M10	50	11	7	4.5	17	-	14000	120
403548	LMP.60-SST-M10x60-TV	395438	LMP.60-A4-M10x60-TV	60	M10	60	11	7	4.5	17	-	14000	132
403549	LMP.60-SST-M10x80-TV	395442	LMP.60-A4-M10x80-TV	60	M10	80	11	7	4.5	17	-	14000	152
403550	LMP.60-SST-M10x100-TV	395446	LMP.60-A4-M10x100-TV	60	M10	100	11	7	4.5	17	-	14000	182
403551	LMP.60-SST-M12x60-TV	395464	LMP.60-A4-M12x60-TV	60	M12	60	11	7	4.5	17	-	16000	122
403552	LMP.60-SST-M12x80-TV	395468	LMP.60-A4-M12x80-TV	60	M12	80	11	7	4.5	17	-	16000	152
403553	LMP.60-SST-M12x100-TV	395472	LMP.60-A4-M12x100-TV	60	M12	100	11	7	4.5	17	-	16000	182
403554	LMP.60-SST-M12x125-TV	395476	LMP.60-A4-M12x125-TV	60	M12	125	11	7	4.5	17	-	16000	202
403555	LMP.60-SST-M16x75-TV	395494	LMP.60-A4-M16x75-TV	60	M16	75	17	7	4.5	12	8	16000	212
403556	LMP.60-SST-M16x100-TV	395498	LMP.60-A4-M16x100-TV	60	M16	100	17	7	4.5	12	8	16000	232
403557	LMP.60-SST-M16x125-TV	395502	LMP.60-A4-M16x125-TV	60	M16	125	17	7	4.5	12	8	16000	253
403558	LMP.60-SST-M16x150-TV	395506	LMP.60-A4-M16x150-TV	60	M16	150	17	7	4.5	12	8	16000	273
403559	LMP.60-SST-M16x200-TV	395510	LMP.60-A4-M16x200-TV	60	M16	200	17	7	4.5	12	8	16000	357
403564	LMP.80-SST-M8x40-TV	395604	LMP.80-A4-M8x40-TV	80	M8	40	12	8	5	17	-	8000	162
403565	LMP.80-SST-M8x50-TV	395608	LMP.80-A4-M8x50-TV	80	M8	50	12	8	5	17	-	8000	170
403566	LMP.80-SST-M8x63-TV	395612	LMP.80-A4-M8x63-TV	80	M8	63	12	8	5	17	-	8000	174
403567	LMP.80-SST-M10x50-TV	395634	LMP.80-A4-M10x50-TV	80	M10	50	12	8	5	17	-	14000	170
403568	LMP.80-SST-M10x60-TV	395638	LMP.80-A4-M10x60-TV	80	M10	60	12	8	5	17	-	14000	182
403569	LMP.80-SST-M10x80-TV	395642	LMP.80-A4-M10x80-TV	80	M10	80	12	8	5	17	-	14000	202
403570	LMP.80-SST-M10x100-TV	395646	LMP.80-A4-M10x100-TV	80	M10	100	12	8	5	17	-	14000	222
403571	LMP.80-SST-M12x60-TV	395664	LMP.80-A4-M12x60-TV	80	M12	60	12	8	5	17	-	20000	202
403572	LMP.80-SST-M12x80-TV	395668	LMP.80-A4-M12x80-TV	80	M12	80	12	8	5	17	-	20000	212
403573	LMP.80-SST-M12x100-TV	395672	LMP.80-A4-M12x100-TV	80	M12	100	12	8	5	17	-	20000	232
403574	LMP.80-SST-M12x125-TV	395676	LMP.80-A4-M12x125-TV	80	M12	125	12	8	5	17	-	20000	242
403575	LMP.80-SST-M16x75-TV	395694	LMP.80-A4-M16x75-TV	80	M16	75	18	8	5	12	8	20000	283
403576	LMP.80-SST-M16x100-TV	395698	LMP.80-A4-M16x100-TV	80	M16	100	18	8	5	12	8	20000	303
403577	LMP.80-SST-M16x125-TV	395702	LMP.80-A4-M16x125-TV	80	M16	125	18	8	5	12	8	20000	364
403578	LMP.80-SST-M16x150-TV	395706	LMP.80-A4-M16x150-TV	80	M16	150	18	8	5	12	8	20000	384
403579	LMP.80-SST-M16x200-TV	395710	LMP.80-A4-M16x200-TV	80	M16	200	18	8	5	12	8	20000	403
403580	LMP.80-SST-M20x75-TV	395734	LMP.80-A4-M20x75-TV	80	M20	75	19	8	5	15	10	20000	364
403581	LMP.80-SST-M20x100-TV	395738	LMP.80-A4-M20x100-TV	80	M20	100	19	8	5	15	10	20000	394
403582	LMP.80-SST-M20x125-TV	395742	LMP.80-A4-M20x125-TV	80	M20	125	19	8	5	15	10	20000	414
403583	LMP.80-SST-M20x150-TV	395746	LMP.80-A4-M20x150-TV	80	M20	150	19	8	5	15	10	20000	444
403584	LMP.80-SST-M20x200-TV	395750	LMP.80-A4-M20x200-TV	80	M20	200	19	8	5	15	10	20000	599
403585	LMP.80-SST-M24x100-TV	395774	LMP.80-A4-M24x100-TV	80	M24	100	22	8	5	19	12	22000	566
403586	LMP.80-SST-M24x125-TV	395778	LMP.80-A4-M24x125-TV	80	M24	125	22	8	5	19	12	22000	687
403587	LMP.80-SST-M24x150-TV	395782	LMP.80-A4-M24x150-TV	80	M24	150	22	8	5	19	12	22000	704
403588	LMP.80-SST-M24x200-TV	395786	LMP.80-A4-M24x200-TV	80	M24	200	22	8	5	19	12	22000	768